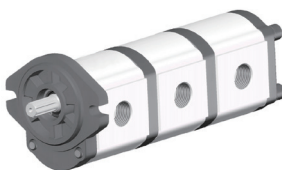


2ATPF\*\*/\*\*/\*\*TF02\*\*\*

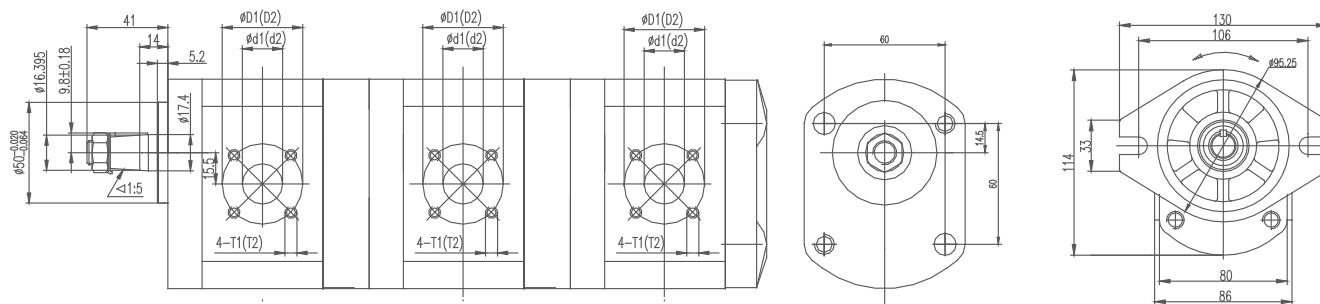


Model	Displacement (ml/r)	Pressure(bar)		Speed(r/min)			L (mm)	L1 (mm)	Inlet			Outlet		
		Rated	Peak	Rated	Max.	Min.			D1	d1	T1	D2	d2	T2
2APF04F60*	4	200	250	2000	3500	500	87.9	42.2	40	15	M6	30	15	M6
2APF06F60*	6	200	250	2000	3500	500	91.1	43.8						
2APF08F52*	8	200	250	2000	3500	500	94.3	45.4						
2APF10F52*	10	200	250	2000	3500	500	97.5	47.0						
2APF12F52*	12	200	250	2000	3500	500	110.7	48.6						
2APF14F52*	14	200	250	2000	3500	500	114.0	50.2						
2APF16F52*	16	200	250	2000	3500	500	109.5	51.2	40	20	M6	30	15	M6
2APF18F52*	18	200	250	2000	3500	500	113.0	52.8						
2APF20F52*	20	200	250	2000	3500	500	116.5	55.3						
2APF23F52*	23	200	250	2000	3000	500	121.5	56.9						
2APF25F52*	25	200	250	2000	3000	500	124.7	58.5						

Dimensions

2TPF\*\*/\*\*/\*\*TF02T2008\*

Option: 2TPF\*\*/\*\*/\*\*TF02F63D9\*



Ordering code: 2APF\*\*F52T2008\*-A

Ordering code: 2APF\*\*F52\*-M

Ordering code: 2APF\*\*F52\*-B

